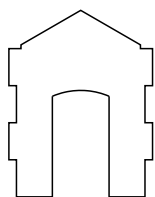


**N-0309 Igualada toilet CGFC
N scale (1:160)**

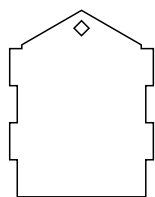


Component parts
Assembly instructions
Main dimensions

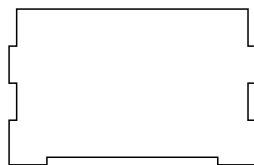
N0309 Igualada toilet CGFC - Component parts



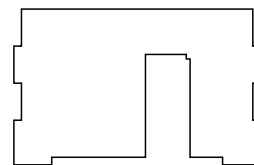
01



02



03



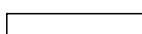
04



05



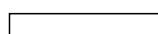
06



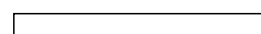
07



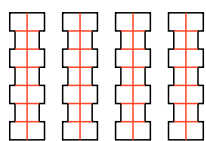
08



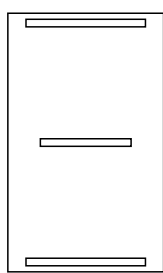
09



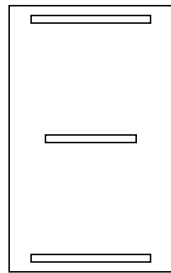
10



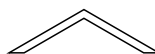
11 x4



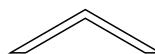
12



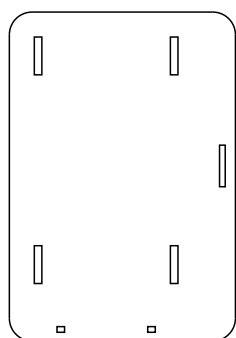
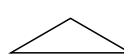
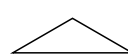
13



14 x2



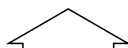
15 x2



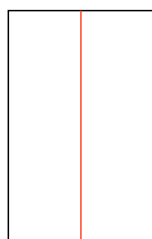
16



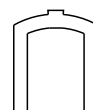
17



18



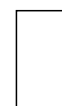
19



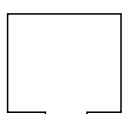
20



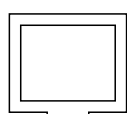
21



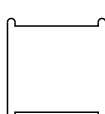
22



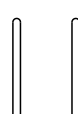
23



24

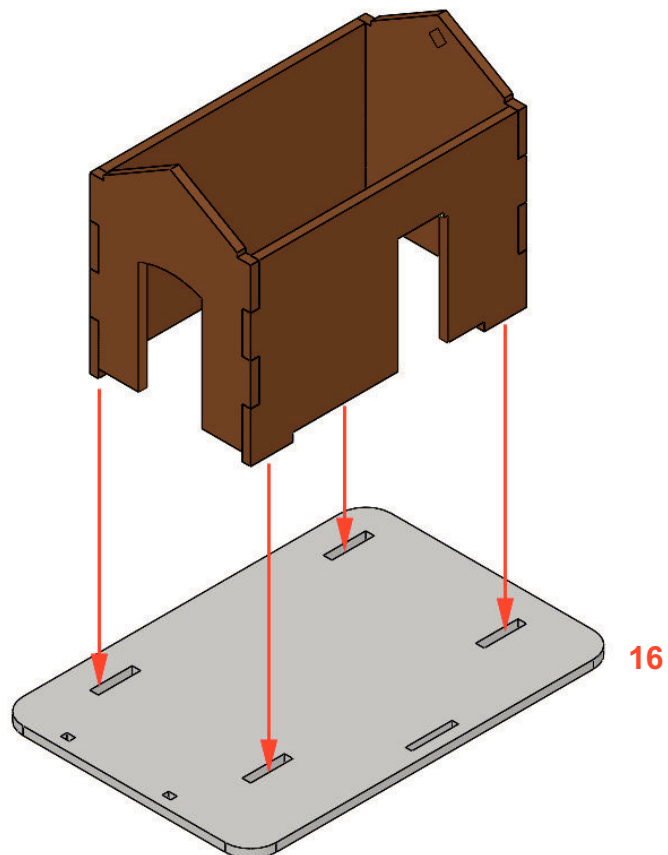
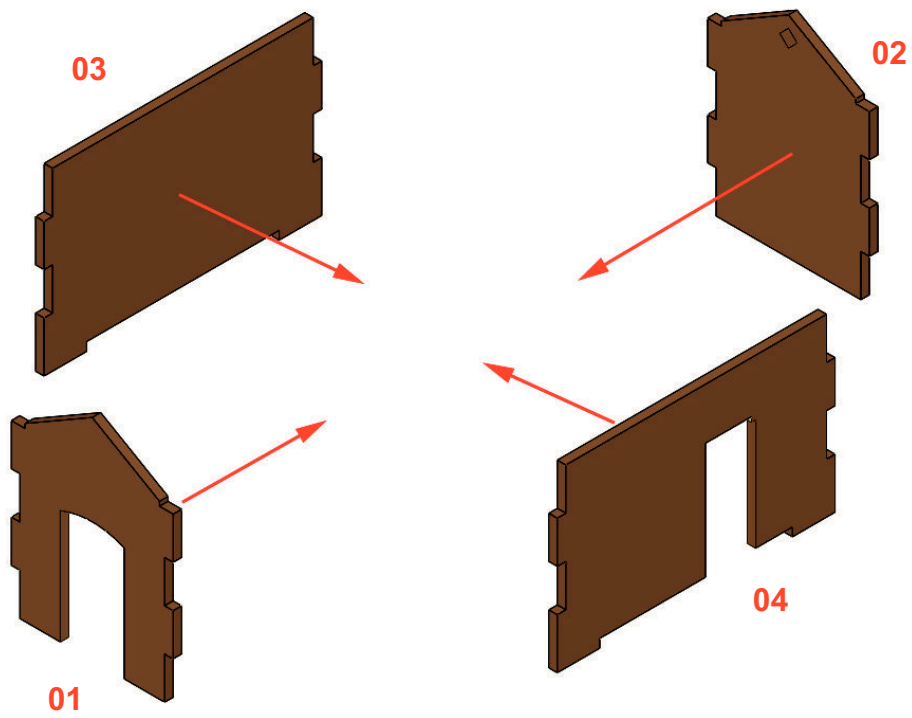


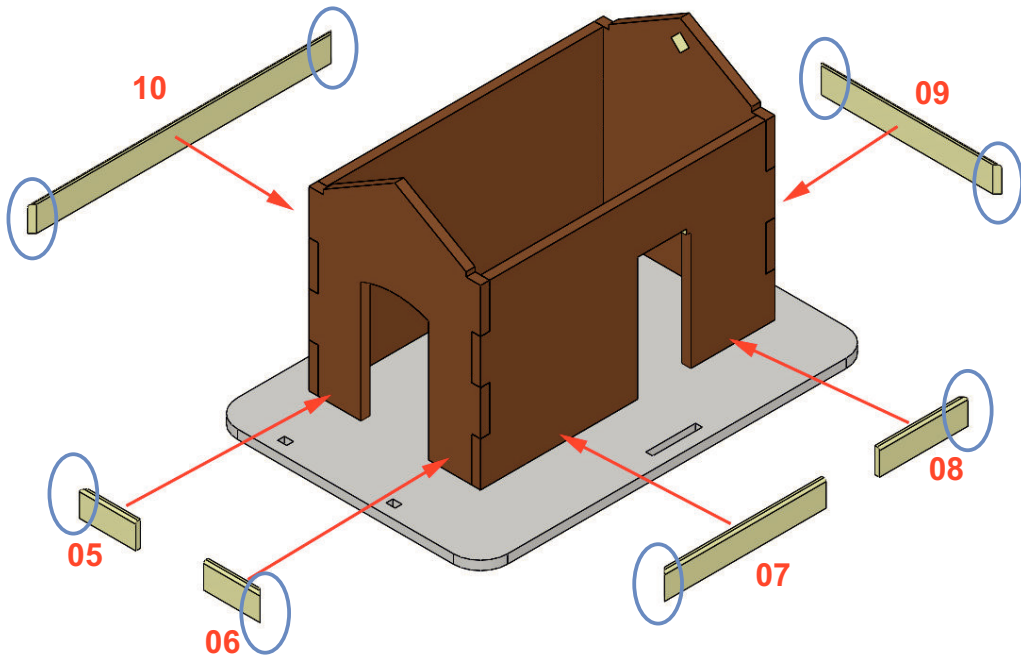
25



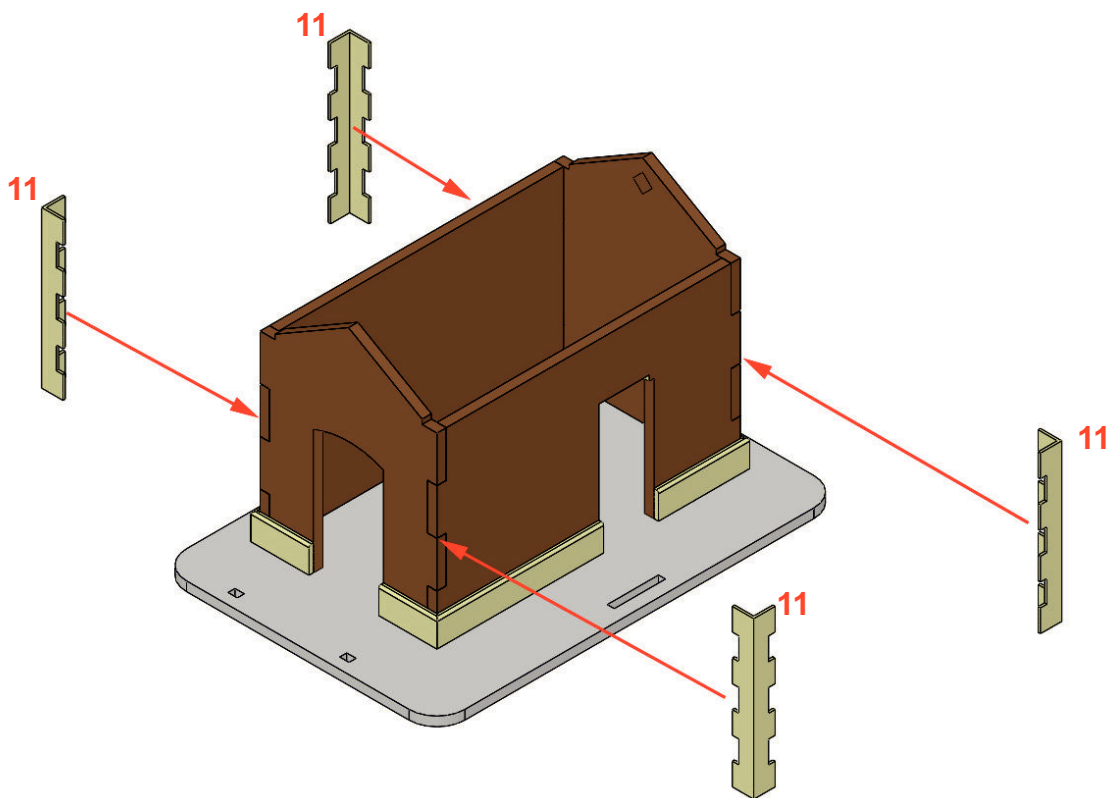
26 x2

N0309 Igualada toilet CGFC - Assembly instructions

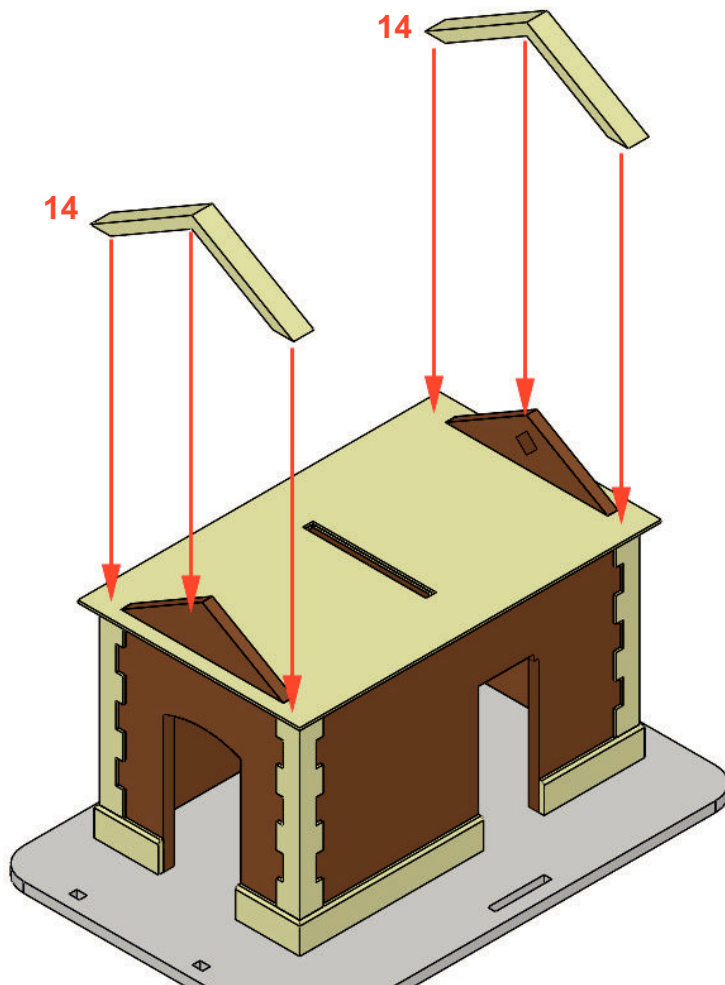
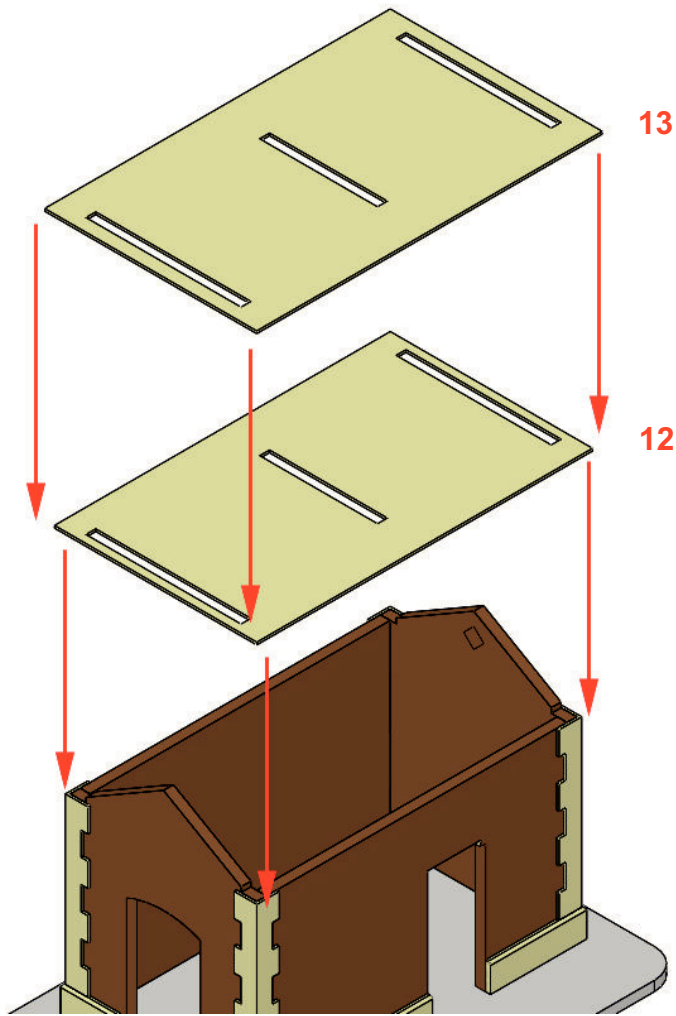


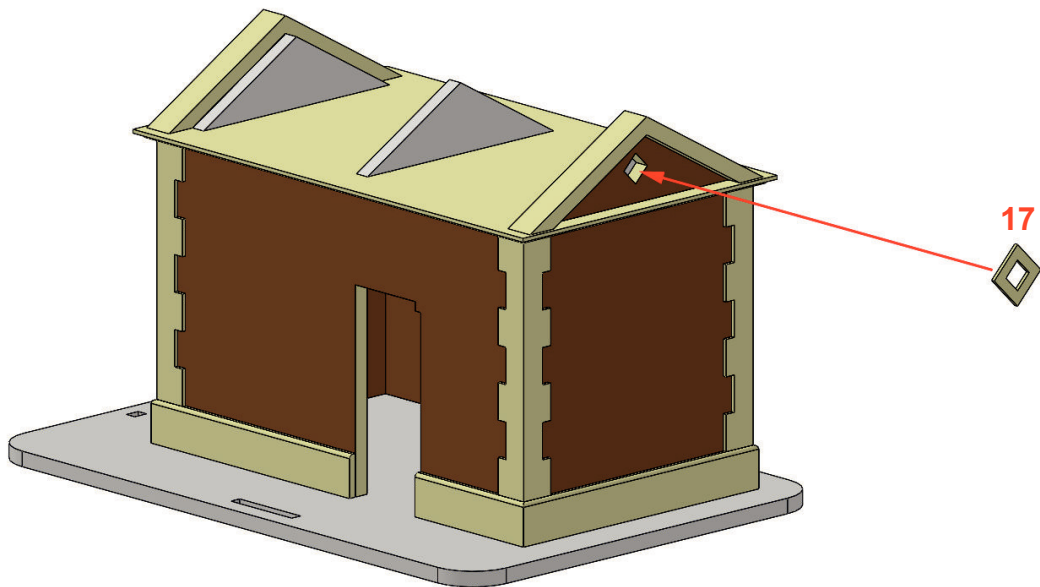
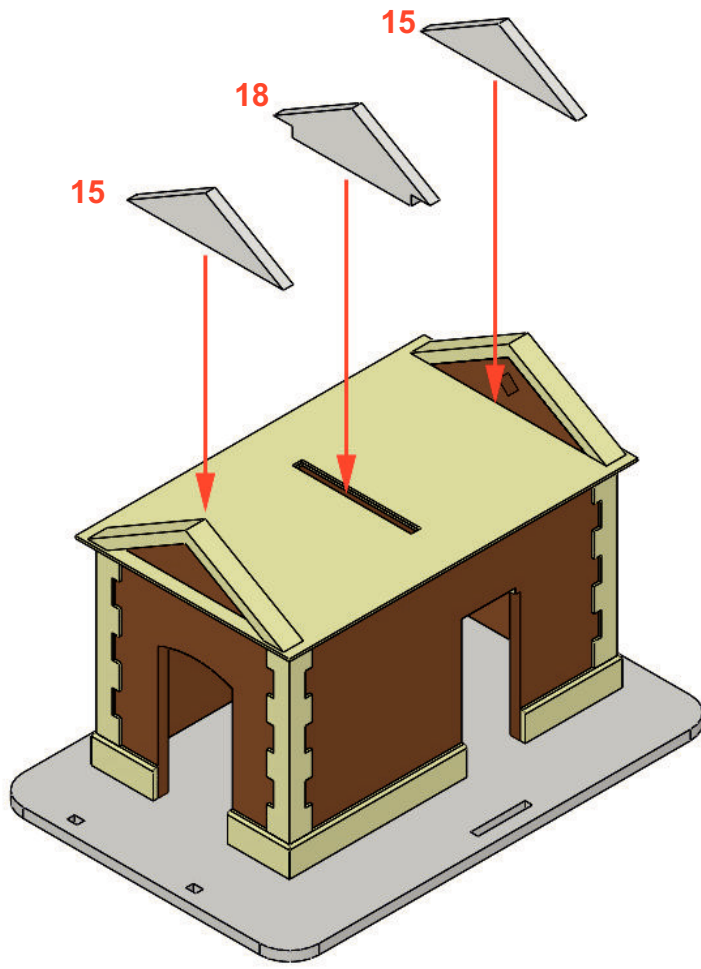


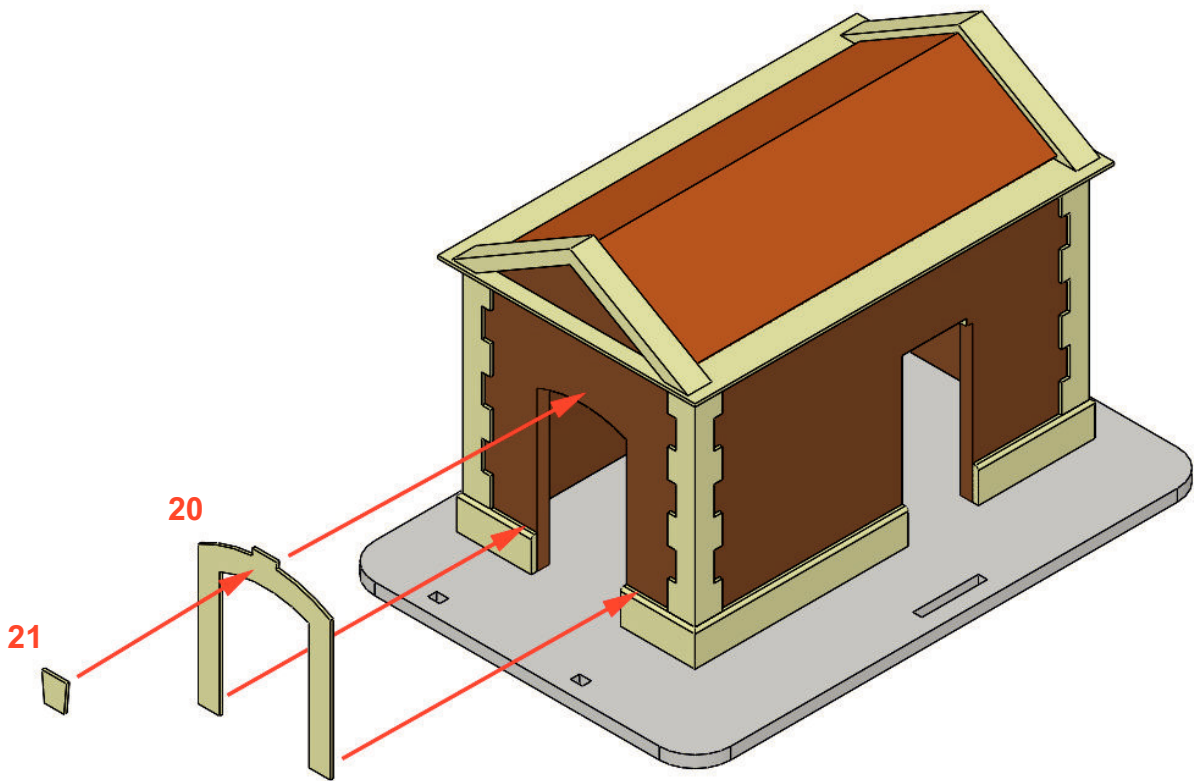
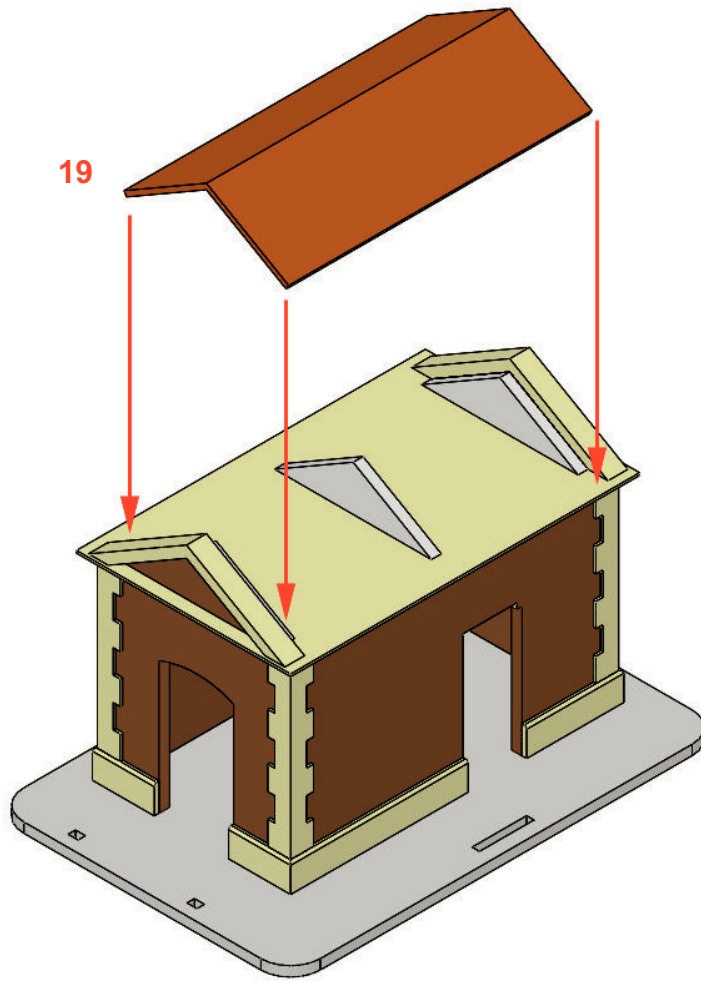
cut at 45° to make the joint (marked in blue)
cortar a 45° para realizar la unión (marcadas de azul)

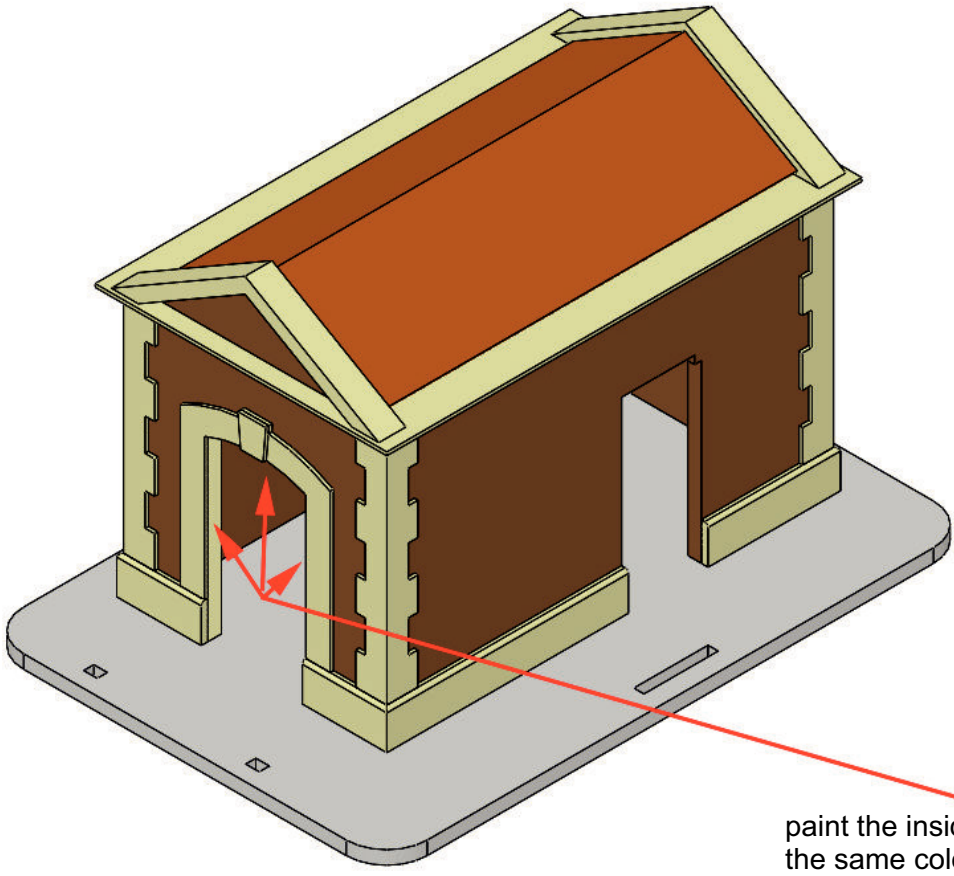


fold the 4 corners at 45° and glue in place
doblar las 4 esquinas a 45° y pegar en su lugar



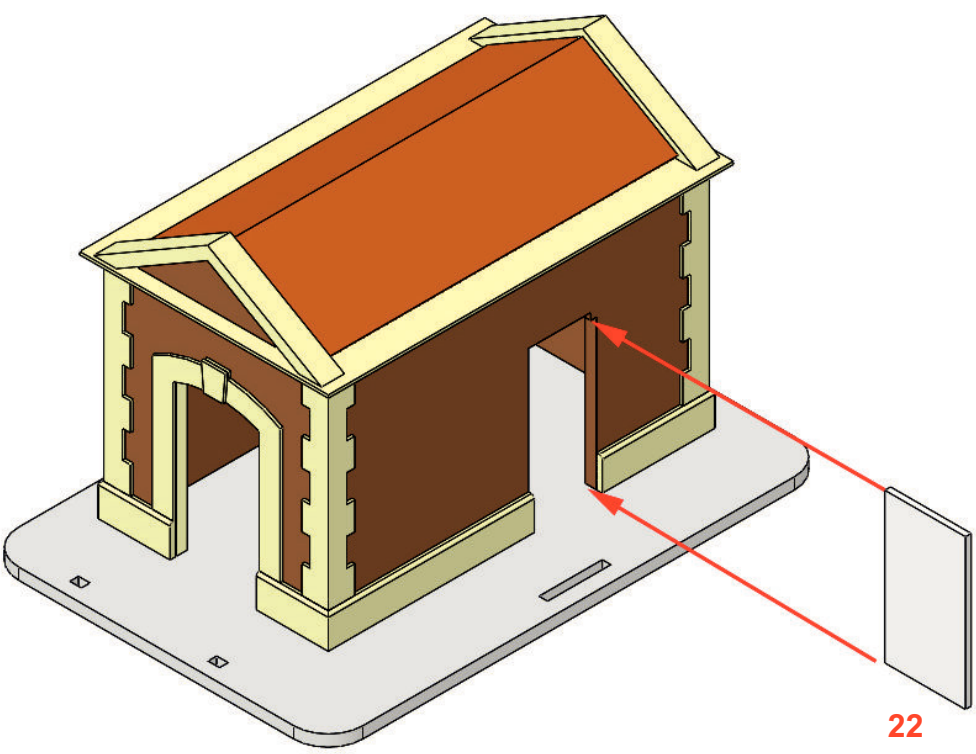


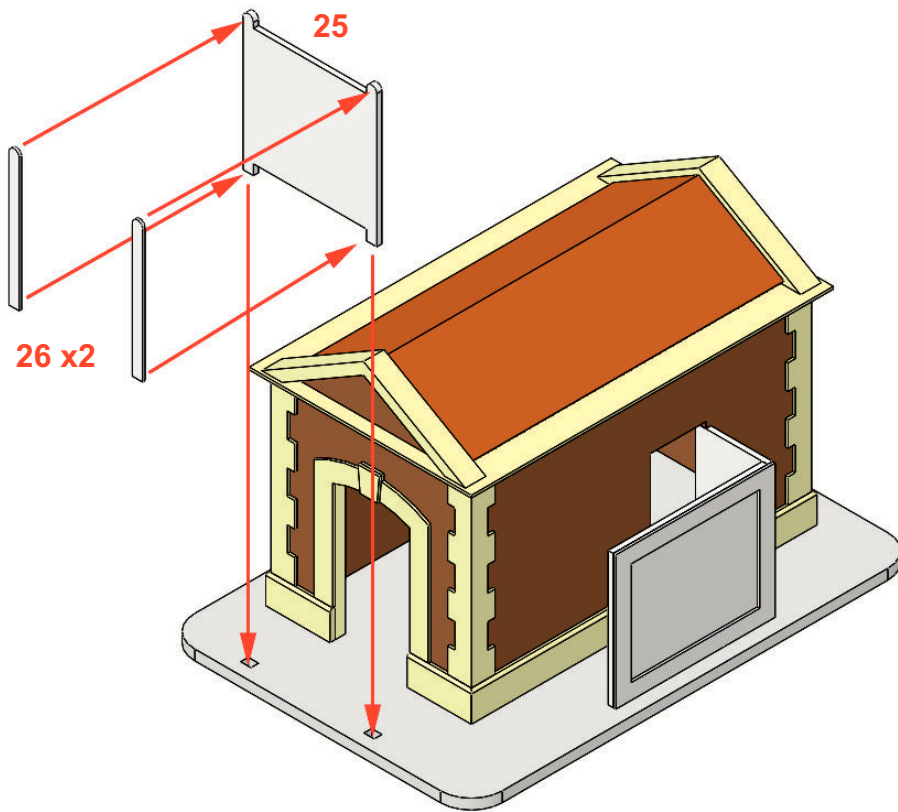
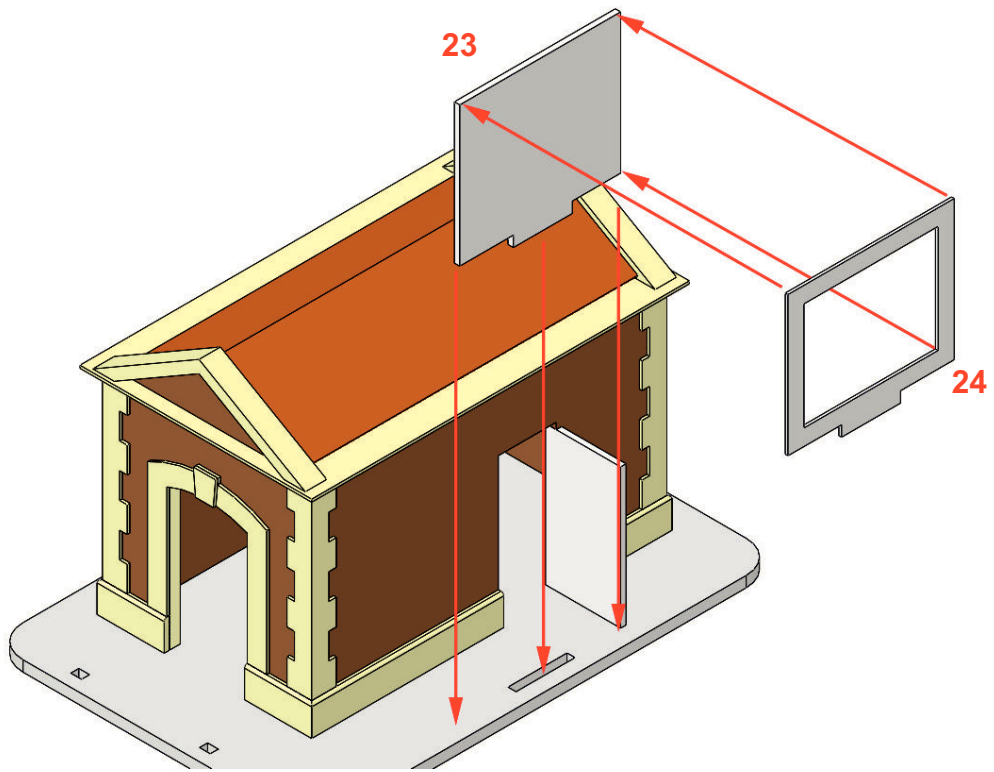




paint the inside edge of the door in the same colour as the frame

pintar el canto interior de la puerta del mismo color que el marco







N0309 Igualada toilet CGFC - main dimensions

